



## ASI-T-1402A8SCN/A

Item	Specification	Unit
LCD Type	IPS TFT / Transmissive / Normally Black	/
Size	1.40	Inch
Viewing Direction	Full viewing angle	O'clock
Gray Scale Inversion Direction	-	O'clock
LCM (W × H × D)	30.00 × 35.00 × 2.20	mm <sup>3</sup>
Active Area (W × H)	25.20 × 25.20	mm <sup>2</sup>
Pixel Pitch	0.105 × 0.105	mm <sup>2</sup>
Number of Dots	240 (RGB) × 240	/
Driver IC	ST7789V2	
Backlight Type	2LEDs	/
Interface Type	(1) 8-bit Parallel CPU	/
	(2) 4-wire SPI	
Color Depth	65K / 262K	/
Pixel Configuration	R.G.B Vertical Stripe	/
Top Polarizer Surface Treatment	Anti-glare	/
Input Voltage	2.8	V
With / Without TSP	Without TSP	/
TP Surface Treatment	-	/
Weight	TBD	g



# CONTENTS

- REVISION RECORD
- GENERAL INFORMATION
- EXTERNAL DIMENSIONS
- ABSOLUTE MAXIMUM RATINGS
- ELECTRICAL CHARACTERISTICS
- BACKLIGHT CHARACTERISTICS
- ELECTRO-OPTICAL CHARACTERISTICS
- INTERFACE DESCRIPTION
- BLOCK DIAGRAM
- APPLICATION NOTES
- RELIABILITY TEST
- INSPECTION CRITERION
- PRECAUTIONS FOR USING LCD MODULES
- PRIOR CONSULT MATTER

■ GENERAL INFORMATION

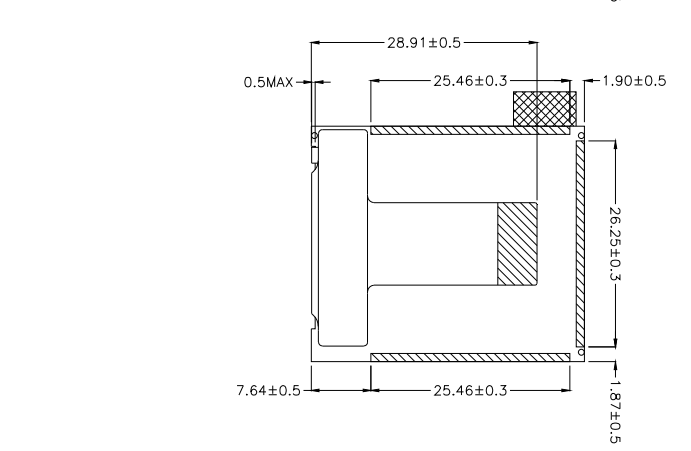
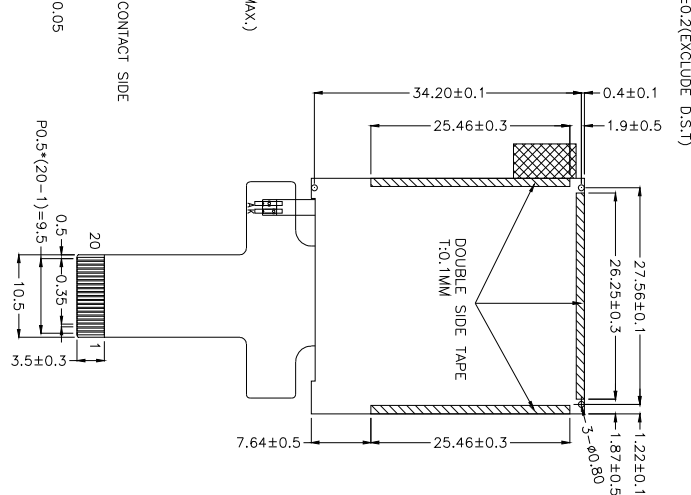
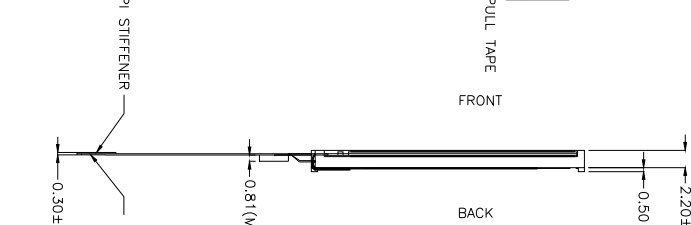
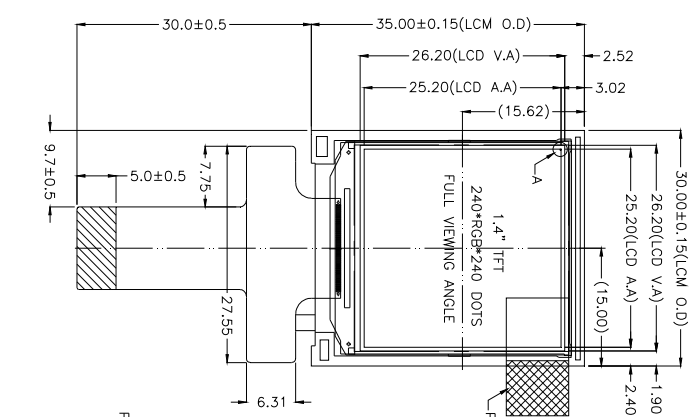
Item	Specification	Unit
LCD Type	IPS TFT / Transmissive / Normally Black	/
Size	1.40	Inch
Viewing Direction	Full viewing angle	O'clock
Gray Scale Inversion Direction	-	O'clock
LCM (W × H × D)	30.00 × 35.00 × 2.20	mm <sup>3</sup>
Active Area (W × H)	25.20 × 25.20	mm <sup>2</sup>
Pixel Pitch	0.105 × 0.105	mm <sup>2</sup>
Number of Dots	240 (RGB) × 240	/
Driver IC	ST7789V2	/
Backlight Type	2LEDs	/
Interface Type	(1) 8-bit Parallel CPU	/
	(2) 4-wire SPI	
Color Depth	65K / 262K	/
Pixel Configuration	R.G.B Vertical Stripe	/
Top Polarizer Surface Treatment	Anti-glare	/
Input Voltage	2.8	V
With / Without TSP	Without TSP	/
TP Surface Treatment	-	/
Weight	TBD	g

Note 1: ROHS compliant;

Note 2: LCM weight tolerance: ±5%.



**EXTERNAL DIMENSIONS**

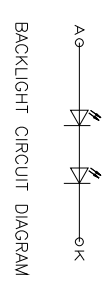
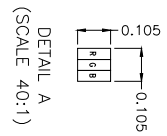


NOTE: IMX MEANS IM1 AND IM2 SHROU TOGETHER ON THE PCB

IMX	DATA BASE	INTERFACE
0	DO~D7	MCU
1	SDA	4-LINE SPI

PN	SYMBOL
1	A
2	K
3	VDD
4	GND
5	IMX
6	SDA
7	/CS
8	RESET
9	RD
10	WR
11	RS
12	D7
13	D6
14	D5
15	D4
16	D3
17	D2
18	D1
19	D0
20	GND

- NOTES:
1. DISPLAY TYPE: IPS TFT, TRANSMISSIVE, NORMALLY BLACK.
  2. OPERATING VOLTAGE: VDD=2.8V.
  3. VIEWING DIRECTION: FULL VIEWING ANGLE.
  4. IC DRIVER: ST789V2.
  5. OPERATING TEM.: 70°C ~ 70°C.
  6. STORAGE TEM.: 50°C ~ 80°C.
  7. BACKLIGHT: 2~CHIP WHITE LED, IF=20mA, VF=5.4V~6.8V.
  8. SURFACE LUMINANCE: 800CD/M<sup>2</sup> (TYP.)
  9. TOP POLARIZER SURFACE TREATMENT: ANI-Q.ARE.
  10. GENERAL TOLERANCE: ±0.2MM.
  11. ROHS COMPLIANT.



01	FIRST ISSUE	RI1A	2020.03.10	SCALE: 1/1	MODULE P/N:
VER.	REVISION DESCRIPTION	REVISER	DATE	UNIT: mm	DESCRIPTION:
				SHEET NO: 1/1	TFT MODULE

■ **ABSOLUTE MAXIMUM RATINGS**

Parameter	Symbol	Min.	Max.	Unit
Power Supply Voltage	VDD	-0.3	4.6	V
Supply Current (One LED)	I <sub>LED</sub>	-	30	mA
Operating Temperature	T <sub>OP</sub>	-20	70	°C
Storage Temperature	T <sub>ST</sub>	-30	80	°C

Note: The absolute maximum rating values of this product are not allowed to be exceeded at any times. Should a module be used with any of the absolute maximum ratings exceeded, the characteristics of the module may not be recovered, or in an extreme case, the module may be permanently destroyed.

■ **ELECTRICAL CHARACTERISTICS**

Parameter	Symbol	Min.	Typ.	Max.	Unit	Notes
Power Supply Voltage	VDD	2.4	2.8	3.3	V	
Input Voltage “H” Level	V <sub>IH</sub>	0.7VDD	-	VDD	V	
Input Voltage “L” Level	V <sub>IL</sub>	GND	-	0.3VDD	V	
Input leakage Current	I <sub>LKG</sub>	-1	-	1	μA	

■ **BACKLIGHT CHARACTERISTICS**

Parameter	Symbol	Min.	Typ.	Max.	Unit	Notes
Forward Voltage	V <sub>f</sub>	5.4	6.4	6.8	V	Ta=25±2°C, 60%RH±5%
Forward Current	I <sub>f</sub>	-	20	-	mA	
Power Consumption	W <sub>BL</sub>	-	128	-	mW	
Operating Life Time	-	30000	50000	-	Hrs	

Note: Operating life time means brightness goes down to 50% initial brightness;  
 The life time of LED will be reduced if LED is driven by high current, high ambient temperature and humidity conditions;  
 Typical operating life time is an estimated data.

■ ELECTRO-OPTICAL CHARACTERISTICS

Parameter		Symbol	Condition	Min.	Typ.	Max.	Unit	Remark	Notes
Response Time		Tr + Tf	$\theta=0^\circ$ $\varnothing=0^\circ$ $Ta=25^\circ C$	-	30	35	ms	FIG 1.	4
Contrast Ratio		Cr		800	900	-	---	FIG 2.	1
Luminance Uniformity		$\delta$ White		80	-	-	%	FIG 2.	3
Surface Luminance		Lv		640	800	-	cd/m <sup>2</sup>	FIG 2.	2
Viewing Range	Angle	$\theta$	$\varnothing = 90^\circ$	80	-	-	deg	FIG 3.	6
			$\varnothing = 270^\circ$	80	-	-	deg		
			$\varnothing = 0^\circ$	80	-	-	deg		
			$\varnothing = 180^\circ$	80	-	-	deg		
CIE Chromaticity	Red	x	$\theta=0^\circ$ $\varnothing=0^\circ$ $Ta=25^\circ C$	-	-	-	---	FIG 2.	5
		y		-	-	-			
	Green	x		-	-	-			
		y		-	-	-			
	Blue	x		-	-	-			
		y		-	-	-			
	White	x		0.270	0.310	0.350			
		y		0.290	0.330	0.370			
NTSC		-	-	-	TBD	-	%	-	-

Note 1. Contrast Ratio(CR) is defined mathematically as for more information see FIG 2.

$$\text{Contrast Ratio} = \frac{\text{Average Surface Luminance with all white pixels (P1,P2,P3,P4,P5)}}{\text{Average Surface Luminance with all black pixels (P1,P2,P3,P4,P5)}}$$

Note 2. Surface luminance is the LCD surface from the surface with all pixels displaying white. For more information see FIG 2.

$$Lv = \text{Average Surface Luminance with all white pixels (P1,P2,P3,P4,P5)}$$

Note 3. The uniformity in surface luminance,  $\delta$  White is determined by measuring luminance at each test position 1 through 5, and then dividing the maximum luminance of 5 points luminance by minimum luminance of 5 points luminance. For more information see FIG 2.

$$\delta \text{ White} = \frac{\text{Minimum Surface Luminance with all white pixels (P1,P2,P3,P4,P5)}}{\text{Maximum Surface Luminance with all black pixels (P1,P2,P3,P4,P5)}}$$

Note 4. Response time is the time required for the display to transition from white to black (Rise Time, Tr) and from black to white (Decay Time, Tf). For additional information see FIG 1. The test equipment is Autronic-Melcher's ConoScope. Series.

Note 5. CIE (x,y) chromaticity, The x,y value is determined by measuring luminance at each test position 1 through 5, and then make average value.

Note 6. Viewing angle is the angle at which the contrast ratio is greater than 2. For TFT module the contrast ratio is greater than 10. The angles are determined for the horizontal or x axis and the vertical or y axis with respect to the z axis which is normal to the LCD surface. For more information see FIG 3.

Note 7. For viewing angle and response time testing, the testing data is based on Autronic-Melchers's ConoScope. Series Instruments for contrast ratio, Surface luminance, Luminance uniformity, CIE the test data is based on TOPCON's BM-5 photo detector.

FIG 1. The Definition of Response Time

The response time is defined as the following figure and shall be measured by switching the input signal for "Black" and "White".

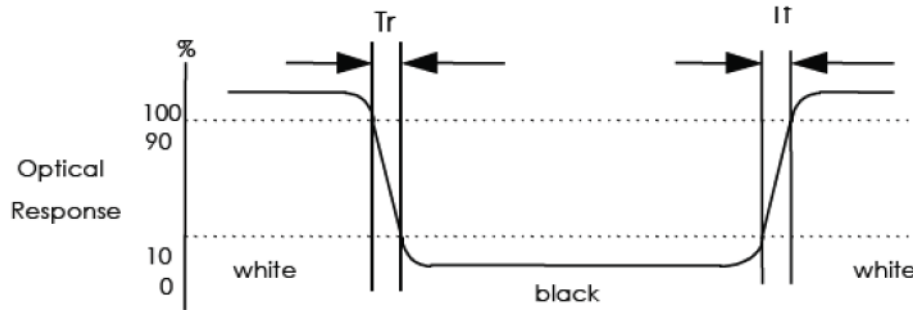
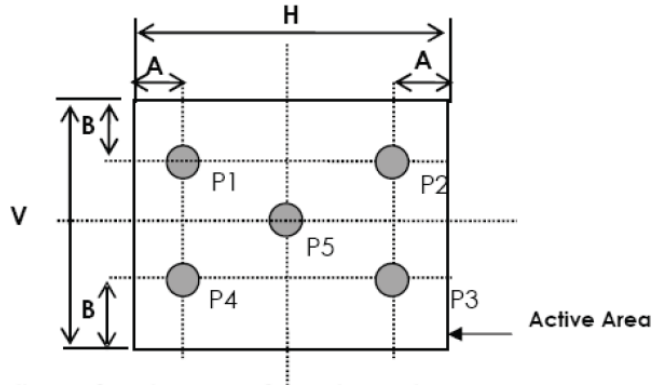


FIG 2. Measuring method for contrast ratio, surface luminance, Luminance uniformity, CIE (x,y) chromaticity.



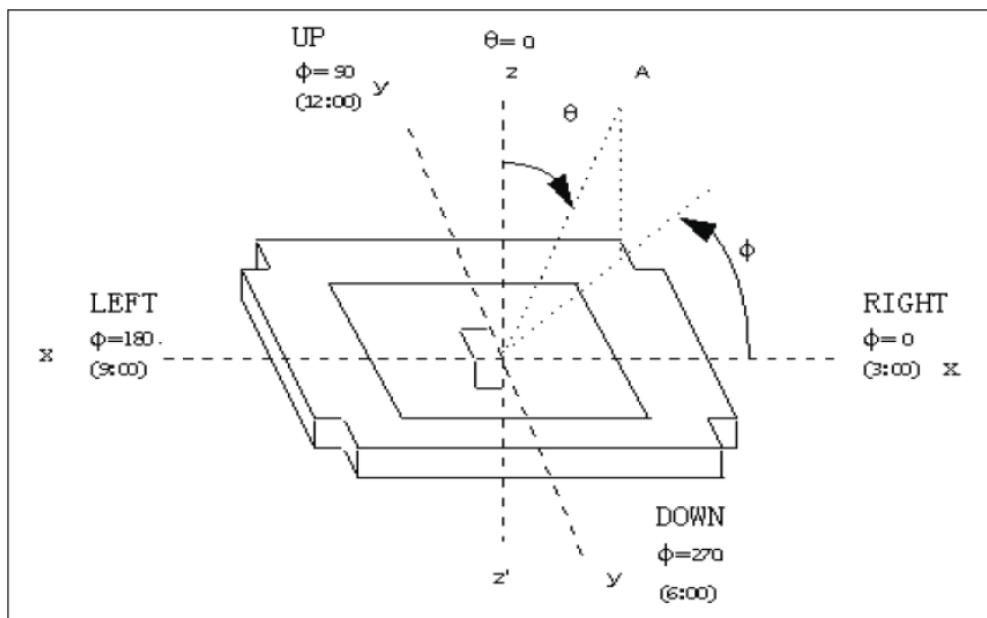
A: 5mm

B: 5mm

H,V: Active Area

Light spot size  $\varnothing = 7\text{mm}$ , 500mm distance from the LCD surface to detector lens measurement instrument is TOPCON's luminance meter BM-5.

FIG 3. The definition of viewing angle

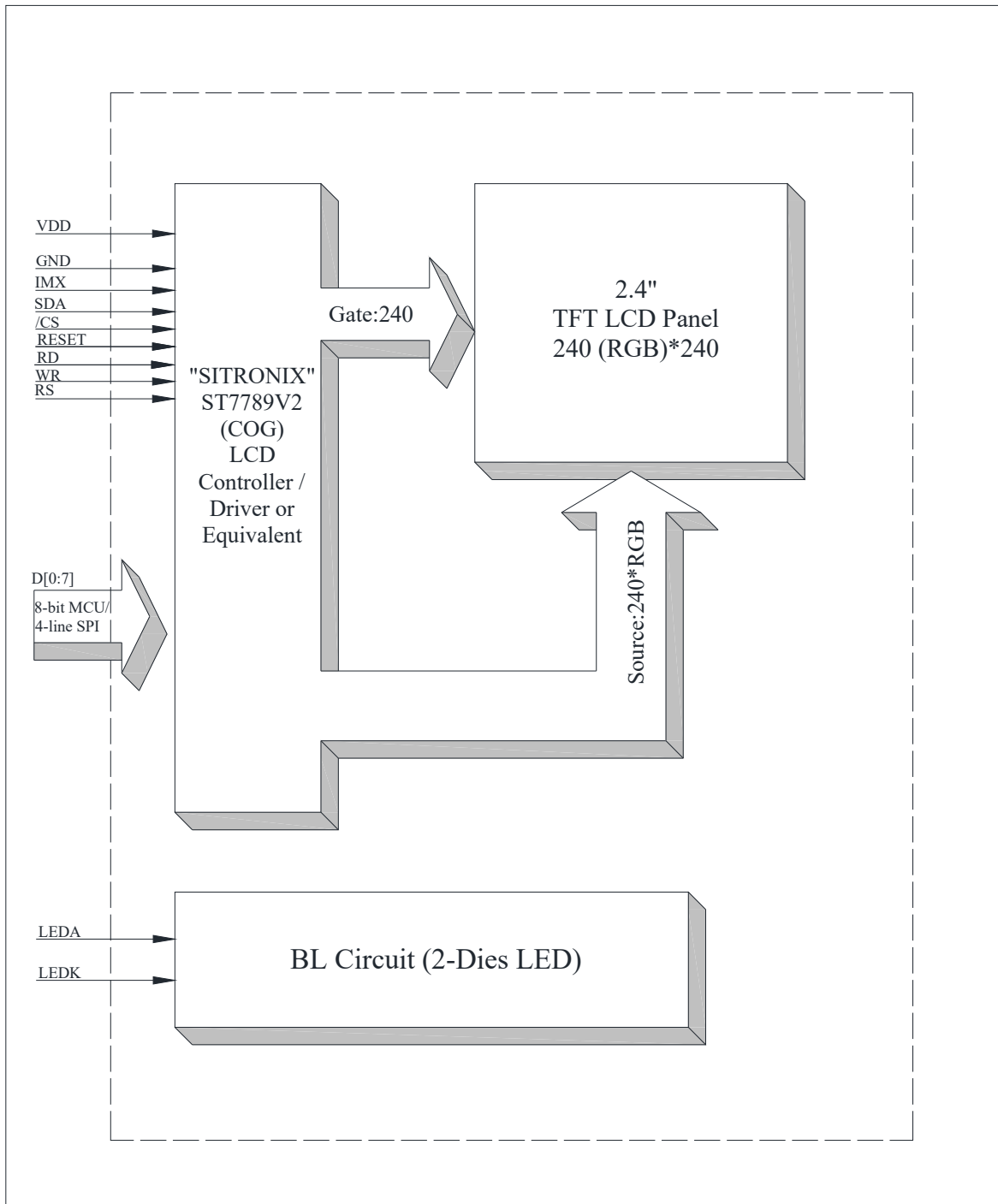




■ INTERFACE DESCRIPTION

Pin No.	Symbol	I/O/P	Description									
1	LEDA	P	Anode of LED backlight.									
2	LEDK	P	Cathode of LED backlight.									
3	VDD	P	Power supply.									
4	GND	P	Power ground.									
5	IMX	I	<table border="1"> <thead> <tr> <th>IMX</th> <th>Data Base</th> <th>Interface</th> </tr> </thead> <tbody> <tr> <td>0</td> <td>D0~D7</td> <td>MCU</td> </tr> <tr> <td>1</td> <td>SDA</td> <td>4-lines SPI</td> </tr> </tbody> </table>	IMX	Data Base	Interface	0	D0~D7	MCU	1	SDA	4-lines SPI
			IMX	Data Base	Interface							
			0	D0~D7	MCU							
1	SDA	4-lines SPI										
Note: IMX means IM1 and IM2 shrot together on the PFC.												
6	SDA	I/O	When IM3: Low, SPI interface input/output pin. When IM3: High, SPI interface input pin. The data is latched on the rising edge of the SCL signal. If not used, please fix this pin at VDDI or DGND level.									
7	/CS	I	Chip selection pin. Low enable. High disable.									
8	RESET	I	This signal will reset the device and it must be applied to properly initialize the chip. Signal is active low.									
9	RD	I	Read enable in 8080 MCU parallel interface. If not used, please fix this pin at VDDI or DGND.									
10	WR	I	Write enable in MCU parallel interface. Display data/command selection pin in 4-line serial interface. Second data lane is 2 data lane serial interface. If not used, please fix this pin at VDDI or DGND.									
11	RS	I	A register select signal. Low: select an index or status register; High: select a control register.									
12	D7	I	Data bus.									
13	D6	I	Data bus.									
14	D5	I	Data bus.									
15	D4	I	Data bus.									
16	D3	I	Data bus.									
17	D2	I	Data bus.									
18	D1	I	Data bus.									
19	D0	I	Data bus.									
20	GND	P	Power ground.									

■ BLOCK DIAGRAM



## APPLICATION NOTES

### 1. MCU Interface Characteristics

#### 1.1 8080 Series MCU Parallel Interface Characteristics: 18/16/9/8-bit Bus

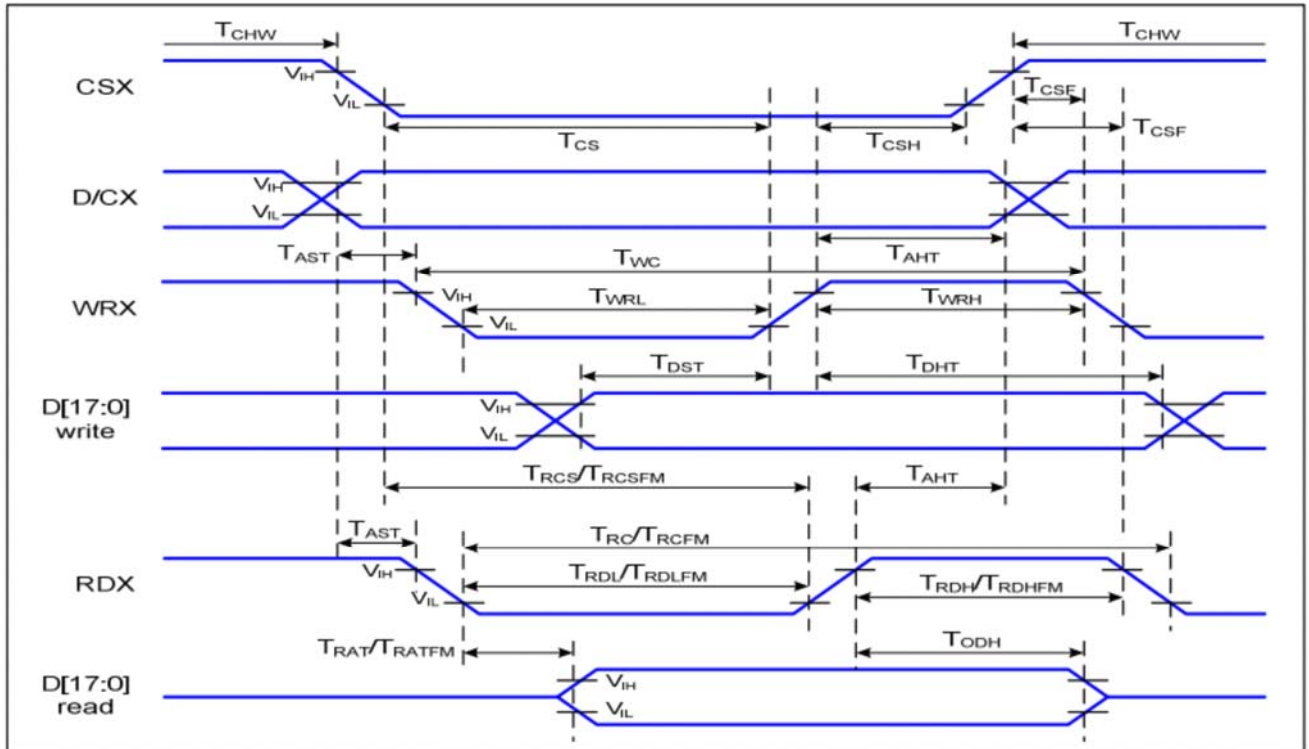
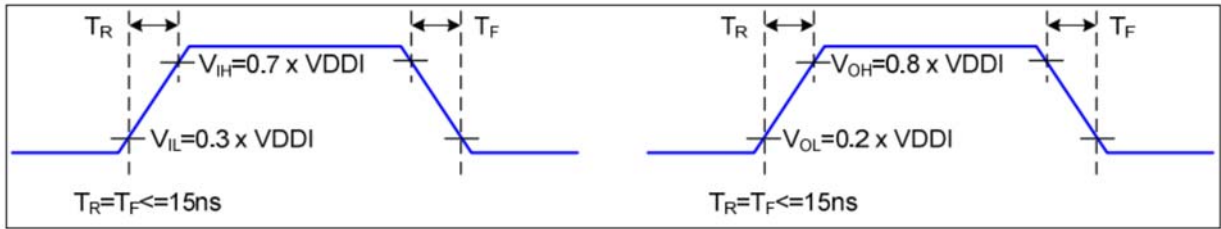


Figure 1 Parallel Interface Timing Characteristics (8080-Series MCU Interface)

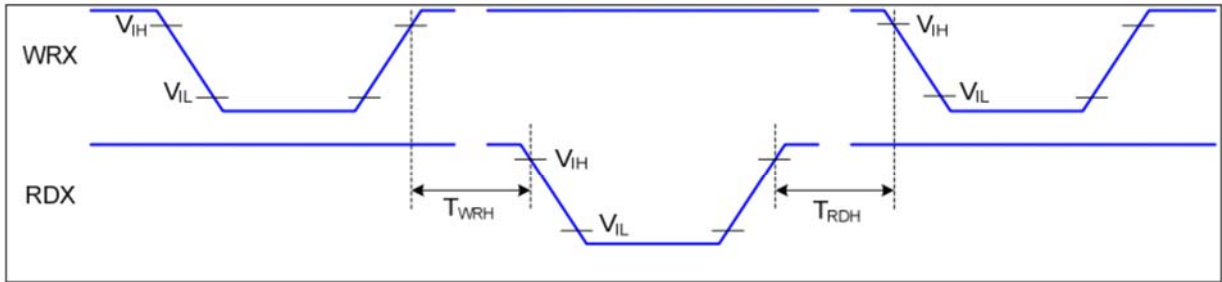
Note:  $T_a = 25^\circ\text{C}$ ,  $V_{DD} = 2.4\text{V to } 3.3\text{V}$ ,  $AGND = DGND = 0\text{V}$

Signal	Symbol	Parameter	Min.	Max.	Unit	Description
DCX	tast	Address setup time	0	-	ns	
	taht	Address hold time (Write/Read)	0	-	ns	
CSX	tchw	CSX "H" pulse width	0	-	ns	
	tcs	Chip select setup time (Write)	15	-	ns	
	trcs	Chip select setup time (Read ID)	45	-	ns	
	trcsfm	Chip select setup time (Read FM)	355	-	ns	
	tcsf	Chip select wait time (Write/Read)	10	-	ns	
	tchsh	Chip select hold time	10	-	ns	
WRX	twc	Write cycle	66	-	ns	
	twrh	Write control pulse H duration	15	-	ns	
	twrl	Write control pulse L duration	15	-	ns	
RDX(FM)	trcfm	Read cycle (FM)	450	-	ns	
	trdhfm	Read control H duration (FM)	90	-	ns	
	trdlfm	Read control L duration (FM)	355	-	ns	
RDX(ID)	trc	Read cycle (ID)	160	-	ns	
	trdh	Read control pulse H duration	90	-	ns	
	trdl	Read control pulse L duration	45	-	ns	
D[17:0]	tdst	Data setup time	10	-	ns	For $CL=30\text{pF}$
	tdht	Data hold time	10	-	ns	
	trat	Read access time (ID)	-	40	ns	
	tralfm	Read access time (FM)	-	340	ns	
	trod	Read output disable time	20	80	ns	

Table 1: 8080 Parallel Interface Characteristics



**Figure 2 Rising and Falling Timing for I/O Signal**



**Figure 3 Write-to-Read and Read-to-Write Timing**

*Note: The rising time and falling time ( $T_r$ ,  $T_f$ ) of input signal and fall time are specified at 15 ns or less. Logic high and low levels are specified as 30% and 70% of VDDI for Input signals.*

## 2. 4-Line SPI Characteristics

### 2.1 Serial Interface Characteristics (4-Line Serial)

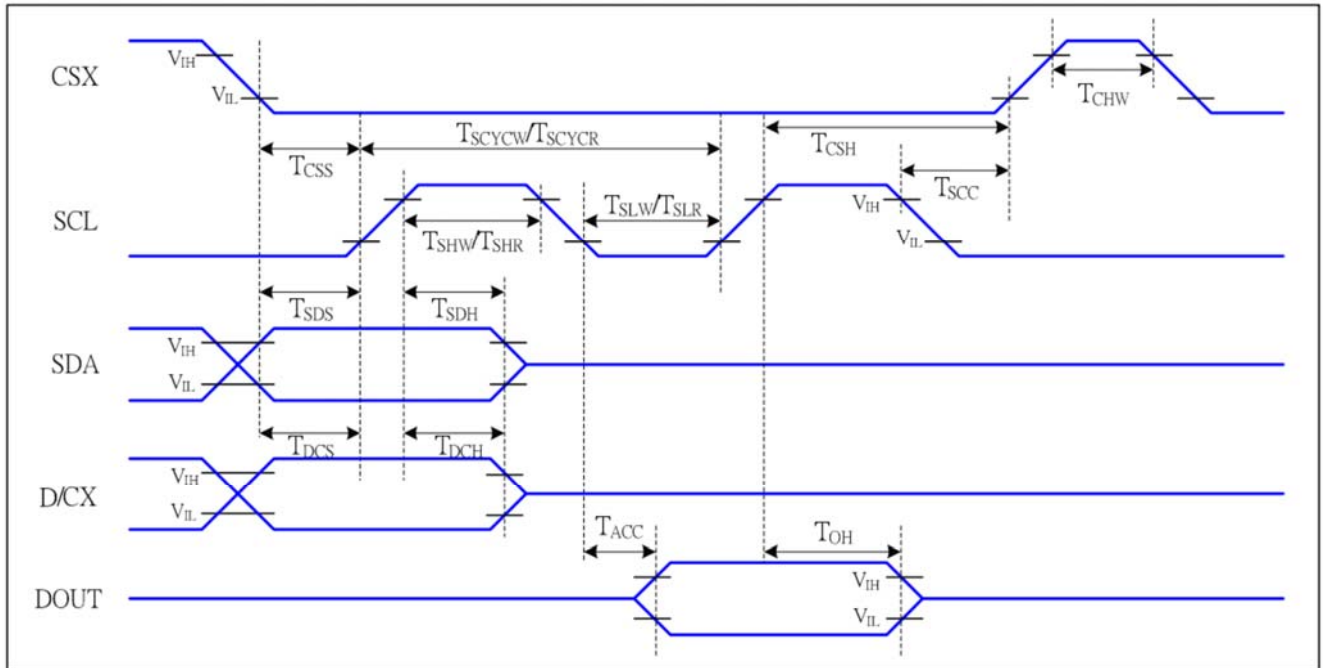


Figure 5 4-line serial Interface Timing Characteristics

Note: Ta= 25°C, VDD=2.4V to 3.3V, AGND=DGND=0V

Signal	Symbol	Parameter	Min.	Max.	Unit	Description
CSX	tcss	Chip select time (Write)	15	-	ns	
	tcsch	Chip select hold time Write)	15	-	ns	
	tcss	Chip select setup time (Read)	60	-	ns	
	tscch	Chip select hold time (Read)	65	-	ns	
	tchwh	Chip select "H" pulse width	40	-	ns	
SCL	tscycw	Serial clock cycle (Write)	16	-	ns	-Write command & data ram
	tshw	SCL "H" pulse width (Write)	7	-	ns	
	tslw	SCL "L" pulse width (Write)	7	-	ns	
	tscyrc	Serial clock cycle (Read)	150	-	ns	-Read command & data ram
	tshr	SCL "H" pulse width (Read)	60	-	ns	
	tslr	SCL "L" pulse width (Read)	60	-	ns	
D/CX	tdcs	D/CX setup time	10	-	ns	
	tdch	D/CX hold time	10	-	ns	
SDA (DIN)	tsds	Data setup time	7	-	ns	
	tdh	Data hold time	7	-	ns	
DOUT	tacc	Access time	10	50	ns	For maximum CL=30pF For minimum CL=8pF
	toh	Output disable time	15	50	ns	

Table 1: 4-line Serial Interface Characteristics

■ RELIABILITY TEST

No.	Test Item	Test Condition	Remark
1	High Temperature Storage Test	80°C ± 2°C / 240Hrs.	Note2
2	Low Temperature Storage Test	-30°C ± 2°C / 240Hrs.	Note 1, 2
3	High Temperature Operating Test	70°C ± 2°C / 240Hrs.	
4	Low Temperature Operating Test	-20°C ± 2°C / 240Hrs.	Note 1
5	High Temperature and High Humidity Operation Test	60 ± 5°C, 90%RH 240Hrs.	Note 1, 2
6	Thermal Shock Test (Non-operating)	-30±2°C(30Min.)~25±2°C(Min.)~80±2°C(30Min.) 20Cycles	
7	Vibration Test (Non-operating)	Frequency: 10~55Hz Amplitude: 1.5mm Sweep Time: 11Mins Test Period: 6 Cycles For Each Direction of X,Y,Z (Packing Condition)	
8	Shock Test (Non-operating)	100G, 6Ms Direction: ±X, ±Y, ±Z Cycle: 3 Times	
9	Electro Static Discharge Test	R: 330Ω, C:150pF, 5points/panel Air: ±8KV, 5times; Contact: ±4KV, 5times; (Environment: 15°C~35°C, 30%~60%, 86Kpa~106Kpa)	

Note 1: Without water condensation.

Note 2: The function test shall be conducted after 2 hours storage at the room temperature and humidity after removed from the test chamber.

■ **INSPECTION CRITERION**

OUTGOING QUALITY STANDARD	PAGE 1 OF 4
TITLE: FUNCTIONAL TEST & INSPECTION CRITERIA	

This specification is made to be used as the standard acceptance/rejection criteria for TFT module.

**1. Sample Plan**

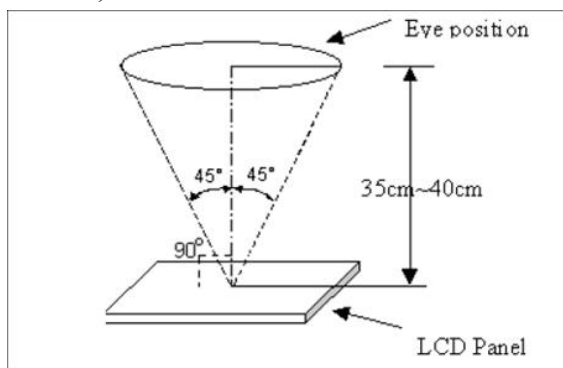
- 1.1 Lot size: Quantity per shipment lot per model
- 1.2 Sampling type: Normal inspection, Single sampling
- 1.3 Inspection level: II
- 1.4 Sampling table: MIL-STD-105D
- 1.5 Acceptable quality level (AQL)
  - Major defect: AQL=0.65
  - Minor defect: AQL=1.50

**2. Inspection Condition**

- 2.1 Ambient conditions
  - a. Temperature: Room temperature  $25\pm 5^{\circ}\text{C}$
  - b. Humidity:  $(60\pm 10)\% \text{RH}$
  - c. Illumination: Single fluorescent lamp non-directive (300 to 700 Lux)
- 2.2 Viewing distance
 

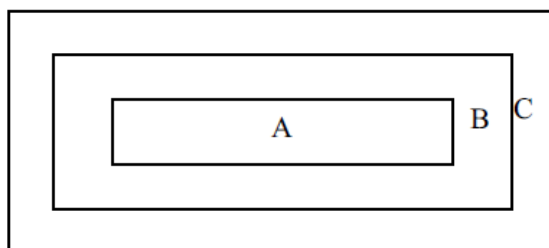
The distance between the LCD and the inspector's eyes shall be at least  $35\pm 5\text{cm}$ .
- 2.3 Viewing angle
 

U/D:  $45^{\circ} / 45^{\circ}$ , L/R:  $45^{\circ} / 45^{\circ}$



**3. Definition of Inspection Item**

- 3.1 Definition of inspection zone in LCD module (LCM)



**Fig.1 Inspection zones in an LCD**

- Zone A: Character / Digit area (Active area)
- Zone B: Viewing area except Zone A (Zone A+Zone B=minimum viewing area)
- Zone C: Outside viewing area (invisible area after assembly in customer's product)

OUTGOING QUALITY STANDARD	PAGE 2 OF 4
---------------------------	-------------

TITLE: FUNCTIONAL TEST & INSPECTION CRITERIA	
--	--

Note: As a general rule, visual defects in Zone C are permissible, when it is no trouble for quality and assembly of customer's product. If any visual defect in Zone C is impermissible, customers need to inform us by written.

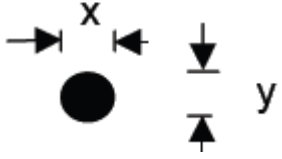
#### 4. Inspection Plan

Defects are classified as major defects and minor defects according to the degree of defectiveness defined herein.



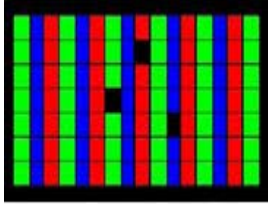
##### 4.1 Major defect

Item No.	Items To Be Inspected	Inspection Standard
4.1.1	All Functional Defects	1) No display 2) Display abnormally 3) Short circuit 4) Line defect 5) Excess power consumption
4.1.2	Missing	Missing function component
4.1.3	Crack	Glass crack

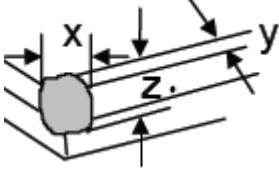
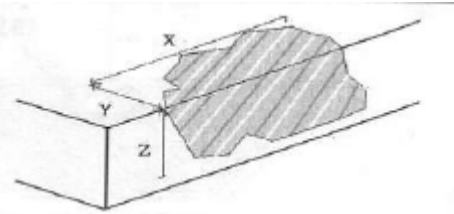
##### 4.2 Minor defect

Item No.	Items To Be Inspected	Inspection Standard	
4.2.1	Spot Defect Including Black spot White spot Pinhole Foreign particle Polarizer dirt	For dark / white spot is defined $\varphi = (x+y) / 2$ 	
		Size $\varphi$ (mm)	Acceptable Quantity
		$\varphi \leq 0.15$ 2mm(min) apart	Ignore
		$0.15 < \varphi \leq 0.25$ 5mm(min) apart	3
		$0.25 < \varphi$	Not allowed



OUTGOING QUALITY STANDARD		PAGE 3 OF 4	
TITLE: FUNCTIONAL TEST & INSPECTION CRITERIA			
4.2.2	Line Defect Including Black line White line Scratch	Defined 	
		Width (mm) Length (mm)	Acceptable Quantity
		$W \leq 0.05$ and $L \leq 10$	Ignore
		$0.05 < W \leq 0.08$ and $L \leq 10$ 3mm(min) apart	3
		$0.08 < W \leq 0.10$ and $L \leq 5$ 3mm(min) apart	1
		$0.10 < W$ or $10 < L$	Not allowed
4.2.3	Polarizer Dent / Bubble	Size $\phi$ (mm)	Acceptable Quantity
		$\phi \leq 0.25$	Ignore
		Non visible area	Ignore
		$0.25 < \phi \leq 0.40$ 5mm(min) apart	2
		$0.40 < \phi$	Not allowed
4.2.4	Electrical Dot Defect	Bright and black dot define:  and 	
		Inspection pattern: Full white, Full black, Red, Green and Blue screens	
		Item	Acceptable Quantity
		Black dot defect	2
		Bright dot defect	0
Total Dot	2		

OUTGOING QUALITY STANDARD	PAGE 4 OF 4
TITLE: FUNCTIONAL TEST & INSPECTION CRITERIA	

4.2.5	Touch Panel Chips	1. Corner chips:	
			
		Size (mm)	Acceptable Quantity
		$X \leq 3\text{mm}$ $Y \leq 3\text{mm}$ $Z \leq T$	Ignore T: Glass thickness X: Length Y: Width Z: Thickness
		2. Side chips:	
			
		Size (mm)	Acceptable Quantity
		$X \leq 5\text{mm}$ $Y \leq 3\text{mm}$ $Z \leq T$	Ignore T: Glass thickness X: Length Y: Width Z: Thickness
4.2.6	Touch Panel Newton Ring	Compare with limit sample	

- Note: 1. Dot defect is defined as the defective area of the dot area is larger than 50% of the dot area.  
 2. The distance between black dot defects or black and bright dot defects should be more than 5mm apart. The distance between two bright dot defects should be more than 15mm apart.  
 3. Polarizer bubble is defined as the bubble appears on active display area. The defect of polarizer bubble shall be ignored if the polarizer bubble appears on the outside of active display area.  
 4. Mura is checker by 6% ND filter.  
 5. Foreign particle on the surface of the LCM should be ignore.

## ■ PRECAUTIONS FOR USING LCD MODULES

### ◆ Handling Precautions

1. The display panel is made of glass and polarizer. As glass is fragile. It tends to become or chipped during handling especially on the edges. Please avoid dropping or jarring. Do not subject it to a mechanical shock by dropping it or impact.
2. If the display panel is damaged and the liquid crystal substance leaks out, be sure not to get any in your mouth. If the substance contacts your skin or clothes, wash it off using soap and water.
3. Do not apply excessive force to the display surface or the adjoining areas since this may cause the color tone to vary. Do not touch the display with bare hands. This will stain the display area and degraded insulation between terminals (some cosmetics are determined to the polarizer).
4. The polarizer covering the display surface of the LCD module is soft and easily scratched. Handle this polarizer carefully. Do not touch, push or rub the exposed polarizers with anything harder than an HB pencil lead (glass, tweezers, etc.). Do not put or attach anything on the display area to avoid leaving marks on. Condensation on the surface and contact with terminals due to cold will damage, stain or dirty the polarizer. After products are tested at low temperature they must be warmed up in a container before coming is contacting with room temperature air.
5. If the display surface becomes contaminated, breathe on the surface and gently wipe it with a soft dry cloth. If it is heavily contaminated, moisten cloth with one of the following solvents.
  - Isopropyl alcohol
  - Ethyl alcohol

Do not scrub hard to avoid damaging the display surface.

6. Solvents other than those above-mentioned may damage the polarizer. Especially, do not use the following.
  - Water
  - Ketone
  - Aromatic solvents
7. Wipe off saliva or water drops immediately, contact with water over a long period of time may cause deformation or color fading. Avoid contacting oil and fats.
8. Exercise care to minimize corrosion of the electrode. Corrosion of the electrodes is accelerated by water droplets, moisture condensation or a current flow in a high-humidity environment.
9. Install the LCD Module by using the mounting holes. When mounting the LCD module make sure it is free of twisting, warping and distortion. In particular, do not forcibly pull or bend the I/O cable or the backlight cable.
10. Do not attempt to disassemble or process the LCD module.
11. If the logic circuit power is off, do not apply the input signals.
12. Electro-Static Discharge Control. Since this module uses a CMOS LSI, the same careful attention should be paid to electrostatic discharge as for an ordinary CMOS IC. To prevent destruction of the elements by static electricity, be careful to maintain an optimum work environment.
13. Electro-Static Discharge Control. Since this module uses a CMOS LSI, the same careful attention should be paid to electrostatic discharge as for an ordinary CMOS IC. To prevent destruction of the elements by static electricity, be careful to maintain an optimum work environment.
  - Before remove LCM from its packing case or incorporating it into a set, be sure the module and your body have the same electric potential. Be sure to ground the body when handling the LCD modules.
  - Tools required for assembling, such as soldering irons, must be properly grounded. make certain the AC power source for the soldering iron does not leak. When using an electric screwdriver to attach LCM, the screwdriver should be of ground potentiality to minimize as much as possible any transmission of electromagnetic waves produced sparks coming from the commutator of the motor.



- To reduce the amount of static electricity generated, do not conduct assembling and other work under dry conditions. To reduce the generation of static electricity be careful that the air in the work is not too dried. A relative humidity of 50%-60% is recommended. As far as possible make the electric potential of your work clothes and that of the work bench the ground potential

- The LCD module is coated with a film to protect the display surface. Exercise care when peeling off this protective film since static electricity may be generated.

- Since LCM has been assembled and adjusted with a high degree of precision, avoid applying excessive shocks to the module or making any alterations or modifications to it.

- Do not alter, modify or change the shape of the tab on the metal frame.

- Do not make extra holes on the printed circuit board, modify its shape or change the positions of components to be attached.

- Do not damage or modify the pattern writing on the printed circuit board.

- Absolutely do not modify the zebra rubber strip (conductive rubber) or heat seal connector.

- Except for soldering the interface, do not make any alterations or modifications with a soldering iron.

- Do not drop, bend or twist LCM.

◆ **Handing Precaution for LCM**

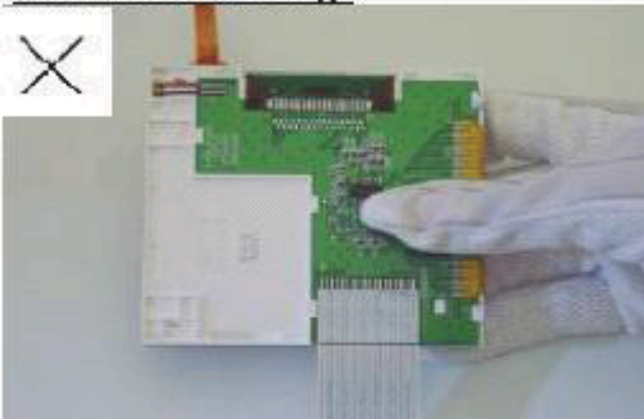
LCM is easy to be damaged.  
Please note below and be careful for handling!

**Correct handling:**

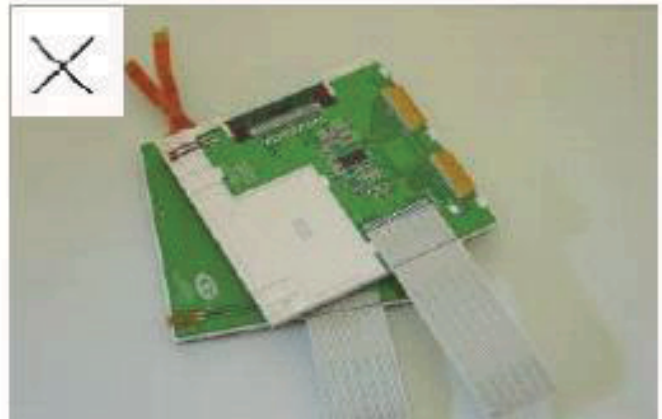


As above picture, please handle with anti-static gloves around LCM edges.

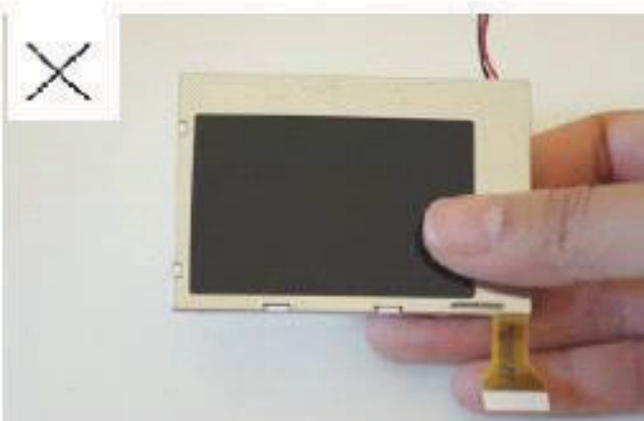
**Incorrect handling:**



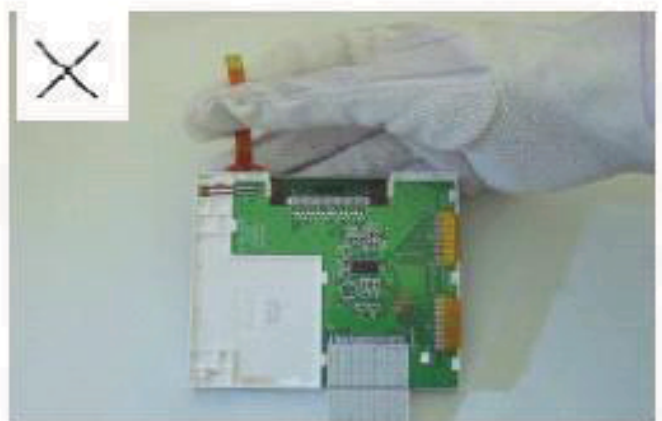
Please don't touch IC directly.



Please don't stack LCM.



Please don't hold the surface of panel.

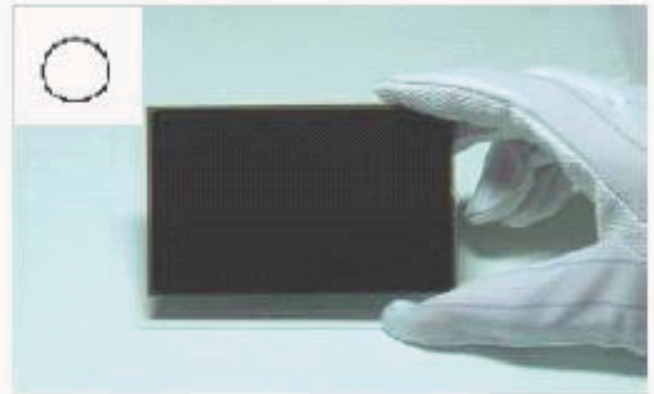


Please don't stretch interface of output, such as FPC cable.

◆ **Handing Precaution for LCD**

LCD is easy to be damaged.  
Please note below and be careful for handling!

**Correct handling:**

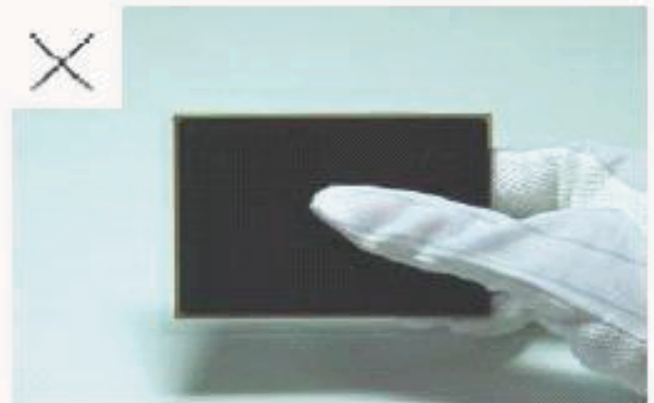


As above photo, please handle with anti-static gloves around LCD edges.

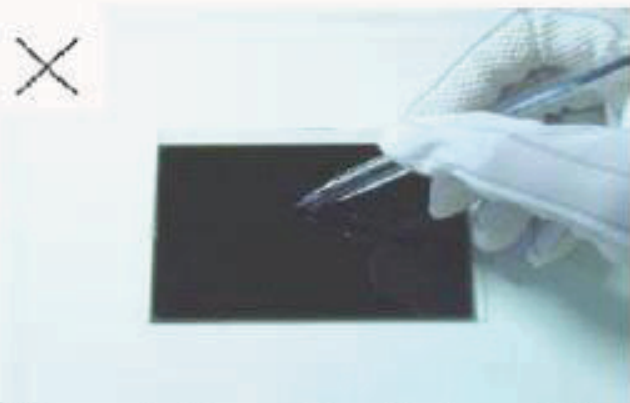
**Incorrect handling:**



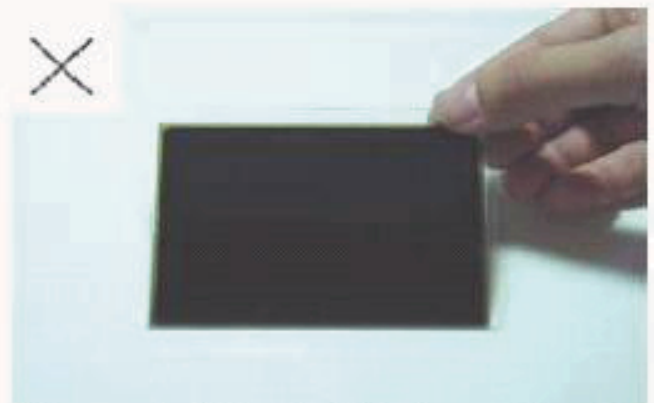
Please don't stack the LCDS.



Please don't hold the surface of LCD.



Please don't operate with sharp stick such as pens.



Please don't touch ITO glass without anti-static gloves.

### ◆ Storage Precautions

When storing the LCD modules, the following precaution is necessary.

1. Store them in a sealed polyethylene bag. If properly sealed, there is no need for the dessicant.
2. Store them in a dark place. Do not expose to sunlight or fluorescent light, keep the temperature between 0°C and 35°C, and keep the relative humidity between 40%RH and 60%RH.
3. The polarizer surface should not come in contact with any other objects. (We advise you to store them in the anti-static electricity container in which they were shipped.

### ◆ Others

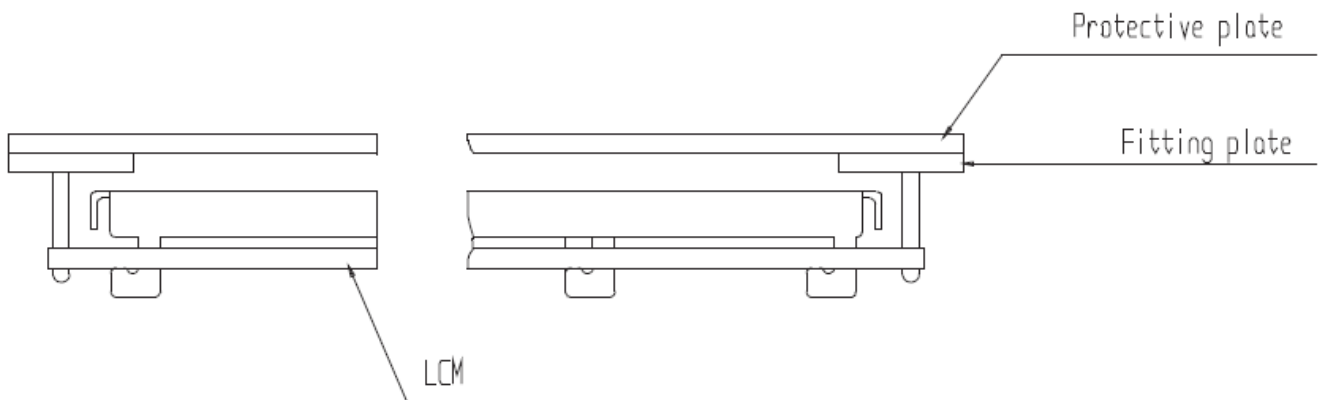
1. Liquid crystals solidify under low temperature (below the storage temperature range) leading to defective orientation or the generation of air bubbles (black or white). Air bubbles may also be generated if the module is subject to a low temperature.
2. If the LCD modules have been operating for a long time showing the same display patterns, the display patterns may remain on the screen as ghost images and a slight contrast irregularity may also appear. A normal operating status can be regained by suspending use for some time. It should be noted that this phenomenon does not adversely affect performance reliability.
3. To minimize the performance degradation of the LCD modules resulting from destruction caused by static electricity etc., exercise care to avoid holding the following sections when handling the modules.
  - Exposed area of the printed circuit board.
  - Terminal electrode sections.

### ◆ Using LCD Modules

#### 1. Installing LCD Modules

1.1 The hole in the printed circuit board is used to fix LCM as shown in the picture below. Attend to the following items when installing the LCM.

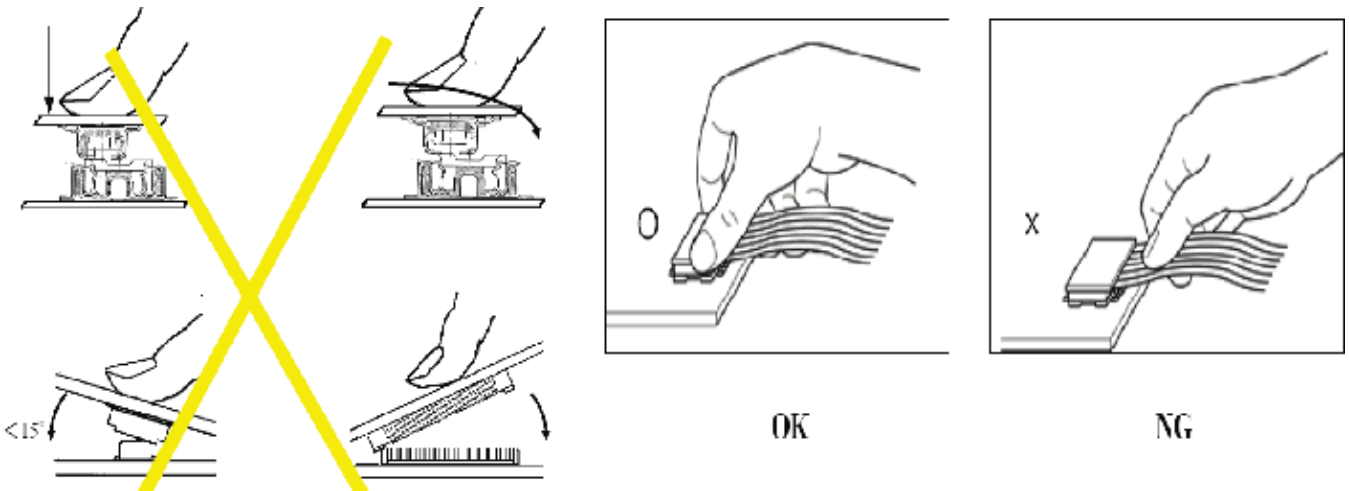
1.1.1 Cover the surface with a transparent protective plate to protect the polarizer and LC cell.



1.1.2 When assembling the LCM into other equipment, the spacer to the bit between the LCM and the fitting plate should have enough height to avoid causing stress to the module surface, refer to the individual specifications for measurements. The measurement tolerance should be  $\pm 0.1\text{mm}$ .

## 2. Precaution For Assemble The Module With BTB Connector

Please note the position of the male and female connector position, don't assemble or assemble like the method which the following picture shows.



### ◆ Precaution For Soldering To The LCM

	Hand Soldering	Machine Drag Soldering	Machine Press Soldering
No ROHS Product	290°C ~ 350°C. Time: 3~5S.	330°C ± 350°C. Speed: 4~8mm/s.	300°C ± 330°C. Time: 3~6S. Press: 0.8~1.2Mpa
ROHS Product	340°C ~ 370°C. Time: 3~5S.	350°C ± 370°C. Speed: 4~8mm/s.	330°C ± 360°C. Time: 3~6S. Press: 0.8~1.2Mpa

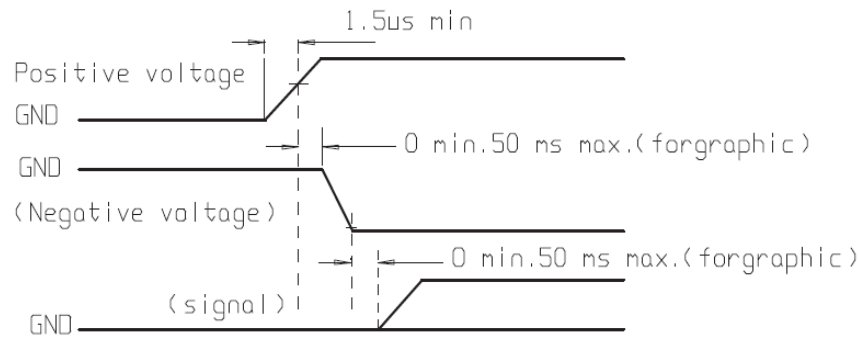
1. If soldering flux is used, be sure to remove any remaining flux after finishing to soldering operation. (This does not apply in the case of a non-halogen type of flux.) It is recommended that you protect the LCD surface with a cover during soldering to prevent any damage due to flux spatters.
2. When soldering the electroluminescent panel and PC board, the panel and board should not be detached more than three times. This maximum number is determined by the temperature and time conditions mentioned above, though there may be some variance depending on the temperature of the soldering iron.
3. When remove the electroluminescent panel from the PC board, be sure the solder has completely melted, the soldered pad on the PC board could be damaged.

### ◆ Precaution For Operation

1. Viewing angle varies with the change of liquid crystal driving voltage (VLCD). Adjust VLCD to show the best contrast.
2. It is an indispensable condition to drive LCD's within the specified voltage limit since the higher voltage then the limit cause the shorter LCD life. An electrochemical reaction due to direct current causes LCD's undesirable deterioration, so that the use of direct current drive should be avoided.
3. Response time will be extremely delayed at lower temperature than the operating temperature range and on the mean malfunction or out of order with LCD's. Which will come back in the specified operating temperature.
4. If the display area is pushed hard during operation, the display will become abnormal. However, it will return to normal if it is turned off and then back on.
5. A slight dew depositing on terminals is a cause for electro-chemical reaction resulting in terminal open circuit. Usage under the maximum operating temperature, 50%RH or less is required.
6. Input each signal after the positive/negative voltage becomes stable.



7. Please keep the temperature within specified range for use and storage. Polarization degradation, bubble generation or polarizer peel-off may occur with high temperature and high humidity.



### ◆ Safety

1. It is recommended to crush damaged or unnecessary LCDs into pieces and wash them off with solvents such as acetone and ethanol, which should later be burned.
2. If any liquid leaks out of a damaged glass cell and comes in contact with the hands, wash off thoroughly with soap and water.

### ◆ Limited Warranty

Unless agreed between All Shore and customer, All Shore will replace or repair any of its LCD modules which are found to be functionally defective when inspected in accordance with All Shore LCD acceptance standards (copies available upon request) for a period of one year from date of production. Cosmetic/visual defects must be returned to All Shore within 90 days of shipment. Confirmation of such date shall be based on data code on product. The warranty liability is limited to repair and/or replacement on the terms set forth above. All Shore will not be responsible for any subsequent or consequential events.

### ◆ Return LCM Under Warranty

No warranty can be granted if the precautions stated above have been disregarded. The typical examples of violations are:

- Broken LCD glass.
- PCB eyelet is damaged or modified.
- PCB conductors damaged.
- Circuit modified in any way, including addition of components.
- PCB tampered with by grinding, engraving or painting varnish.
- Soldering to or modifying the bezel in any manner.

Module repairs will be invoiced to the customer upon mutual agreement. Modules must be returned with sufficient description of the failures or defects. Any connectors or cable installed by the customer must be removed completely without damaging the PCB eyelet, conductors and terminals.

### ■ PRIOR CONSULT MATTER

1. For All Shore standard products, we keep the right to change material, process ... for improving the product property without notice on our customer.
2. For OEM products, if any change needed which may affect the product property, we will consult with our customer in advance.
3. If you have special requirement about reliability condition, please let us know before you start the test on our samples.